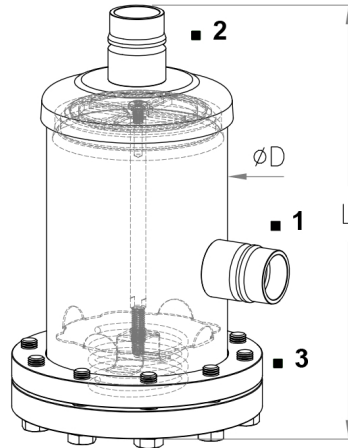


## SERIE 45000 [45 bar]



Filtri disidratatori - Filter drier shells



Working pressure	[PS] 45 Bar
Pressione di esercizio	
Min./max. allowable temperature	[TS] -10+80
max/min temperatura	
General tolerance	± 5
Tolleranza	
Available fluids	HCFC, HFC, R744, [CO2]
Fluidi compatibili	
Pressure equipment directive	2014/68/EU [PED]
Direttiva pressione impianto	

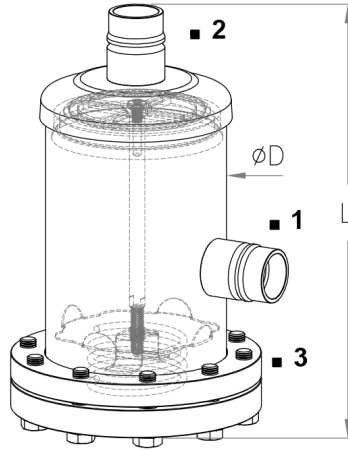
CODICE CODE	øD [ mm ]	L [ mm ]	Inlet [ mm ] [ 1 ]	Outlet [ Inch ] [ 2 ]	Flange [ 3 ]	Service Conn. [ Inch ] [ 4 ]	Core	Core Data		Refrigerant Flow Capacity Pressure Drop - 0,07bar [kW]				
								Surface Area [cm <sup>2</sup> ]	Volume [ cm <sup>3</sup> ]	R744	R22	R404 A R507	R407 C	R410 A
45000-045-M12-1	ø114	231,5	ODS 12	1/2"	FLC-149-24-00	1/4" SAE	1	420	800	113	74	52	72	77
45000-045-M16-1		234,5	ODS 16	5/8"						148	97	68	94	100
45000-045-M19-1		238,5	ODS 19	3/4"						186	121	86	118	126
45000-045-M22-1		241,5	ODS 22	7/8"						220	144	101	140	149
45000-045-M28-1		244,5	ODS 28	1 1/8"						317	207	146	201	214
45000-045-M35-1		241,5	ODS 35	1 3/8"						419	274	193	266	283
45000-045-M42-1		241,5	ODS 42	ODS 42						485	316	224	308	328
45000-045-M54-1		241,5	ODS 54	2 1/8"						707	462	326	449	478
45000-045-M66-1		251,5	ODS 66	2 5/8"						522	341	241	331	353
45000-045-M76-1		261,5	ODS 76	3"						540	352	249	343	365
45000-045-M80-1		261,5	ODS 80	3 1/8"						567	370	261	360	383
45000-045-M22-2	ø114	375,5	ODS 22	7/8"	FLC-149-24-00	1/4" SAE	2	840	1600	205	134	95	130	139
45000-045-M28-2		378,5	ODS 28	1 1/8"						315	206	146	200	213
45000-045-M35-2		375,5	ODS 35	1 3/8"						428	279	197	271	289
45000-045-M42-2		375,5	ODS 42	ODS 42						529	345	244	336	357
45000-045-M54-2		375,5	ODS 54	2 1/8"						743	485	343	472	503
45000-045-M66-2		385,5	ODS 66	2 5/8"						560	366	259	356	379
45000-045-M76-2		395,5	ODS 76	3"						584	381	270	371	395
45000-045-M80-2		395,5	ODS 80	3 1/8"						613	400	283	389	414

- Condensing temperature 35°C (-5°C / Co2) • Evaporating temperature -15°C (-30°C / Co2)
- Temperatura di condensazione 35°C (-5°C / Co2) • temperatura di evaporazione -15°C (-30°C / Co2)

# SERIE 450000 [45 bar]



Filtri disidratatori - Filter drier shells



Working pressure	[PS] 45 Bar
Pressione di esercizio	
Min./max. allowable temperature	[TS] -10+80
max/min temperatura	
General tolerance	± 5
Tolleranza	
Available fluids	HCFC, HFC, R744, [CO2]
Fluidi compatibili	
Pressure equipment directive	2014/68/EU [PED]
Direttiva pressione impianto	

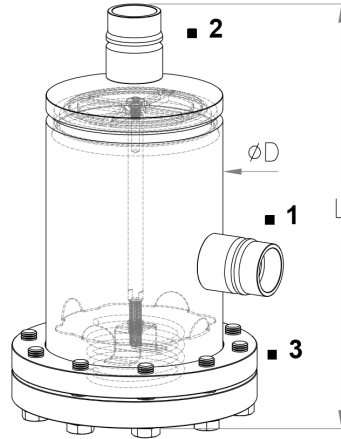
CODICE CODE	ØD [ mm ]	L [ mm ]	Inlet [ mm ] [ 1 ]	Outlet [ Inch ] [ 2 ]	Flange [ 3 ]	Service Conn. [ Inch ] [ 4 ]	Core	Core Data		Refrigerant Flow Capacity Pressure Drop - 0,07bar [kW]				
								Surface Area [ cm2 ]	Volume [ cm3 ]	R744	R22	R404 A R507	R407 C	R410 A
45000-045-M35-3	Ø114	524,5	ODS 35	1 3/8"	FLC-149-24-00	1/4" SAE	3	1260	2400	253	293	207	285	303
45000-045-M42-3		524,5	ODS 42	ODS 42						299	346	245	336	358
45000-045-M54-3		524,5	ODS 54	2 1/8"						367	424	300	413	439
45000-045-M66-3		534,5	ODS 66	2 5/8"						282	326	231	317	338
45000-045-M76-3		544,5	ODS 76	3"						290	335	237	326	347
45000-045-M80-3		544,5	ODS 80	3 1/8"						472	492	404	503	539
45000-045-M35-4	Ø114	667,5	ODS 35	1 3/8"	FLC-149-24-00	1/4" SAE	4	1680	3200	264	305	216	297	316
45000-045-M42-4		667,5	ODS 42	ODS 42						309	358	253	348	370
45000-045-M54-4		667,5	ODS 54	2 1/8"						430	497	351	483	514
45000-045-M66-4		677,5	ODS 66	2 5/8"						337	390	276	379	404
45000-045-M76-4		687,5	ODS 76	3"						345	399	282	388	413
45000-045-M80-4		687,5	ODS 80	3 1/8"						487	508	417	520	557

- Condensing temperature 35°C (-5°C / Co2) • Evaporating temperature -15°C (-30°C / Co2)
- Temperatura di condensazione 35°C (-5°C / Co2) • temperatura di evaporazione -15°C (-30°C / Co2)

# SERIE 45000 [60 BAR]



Filtri disidratatori - Filter drier shells

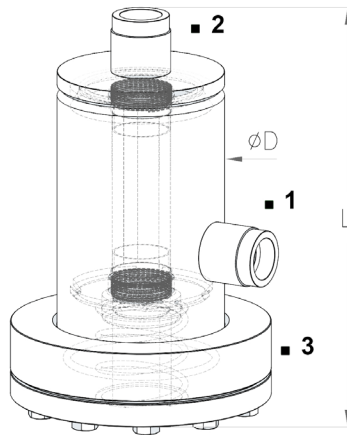


Working pressure	[PS] 60 Bar
Pressione di esercizio	[PS] 60 Bar
Min./max. allowable temperature	[TS] -10+80
max/min temperatura	[TS] -10+80
General tolerance	± 5
Tolleranza	± 5
Available fluids	HCFC, HFC, R744, [CO2]
Fluidi compatibili	HCFC, HFC, R744, [CO2]
Pressure equipment directive	2014/68/EU [PED]
Direttiva pressione impianto	2014/68/EU [PED]

CODICE CODE	ØD [mm]	L [mm]	Inlet [mm] [1]	Outlet [Inch] [2]	Flange [3]	Service Conn. [Inch] [4]	Core	Core Data		Refrigerant Flow Capacity Pressure Drop - 0,07bar [kW]				
								Surface Area [cm2]	Volume [cm3]	R744	R22	R404 A R507	R407 C	R410 A
45000-060-M12-1	Ø114	245	ODS 12	1/2"	FLC-158-27-00		1	420	800	113	74	52	72	77
45000-060-M16-1		245	ODS 16	5/8"						148	97	68	94	100
45000-060-M19-1		245	ODS 19	3/4"						186	121	86	118	126
45000-060-M22-1		255	ODS 22	7/8"						220	144	101	140	149
45000-060-M28-1		255	ODS 28	1 1/8"						317	207	146	201	214
45000-060-M35-1		255	ODS 35	1 3/8"						419	274	193	266	283
45000-060-M42-1		255	ODS 42	ODS 42						485	316	224	308	328
45000-060-M54-1		255	ODS 54	2 1/8"						707	462	326	449	478
45000-060-M66-1		265	ODS 66	2 5/8"						522	341	241	331	353
45000-060-M76-1		275	ODS 76	3"						540	352	249	343	365
45000-060-M80-1		275	ODS 80	3 1/8"						567	370	261	360	383
45000-060-M22-2	Ø114	393	ODS 22	7/8"	FLC-158-27-00		2	840	1600	205	134	95	130	139
45000-060-M28-2		393	ODS 28	1 1/8"						315	206	146	200	213
45000-060-M35-2		393	ODS 35	1 3/8"						428	279	197	271	289
45000-060-M42-2		393	ODS 42	ODS 42						529	345	244	336	357
45000-060-M54-2		393	ODS 54	2 1/8"						743	485	343	472	503
45000-060-M66-2		403	ODS 66	2 5/8"						560	366	259	356	379
45000-060-M76-2		413	ODS 76	3"						584	381	270	371	395
45000-060-M80-2		413	ODS 80	3 1/8"						613	400	283	389	414

## SERIE 45000 [130 BAR]

Filtri disidratatori - Filter drier shells



Working pressure	[PS] 130 Bar
Pressione di esercizio	
Min./max. allowable temperature	[TS] -10+70
max/min temperatura	
General tolerance	± 5
Tolleranza	
Available fluids	HCFC, HFC, R744, [CO2]
Fluidi compatibili	
Pressure equipment directive	2014/68/EU [PED]
Direttiva pressione impianto	

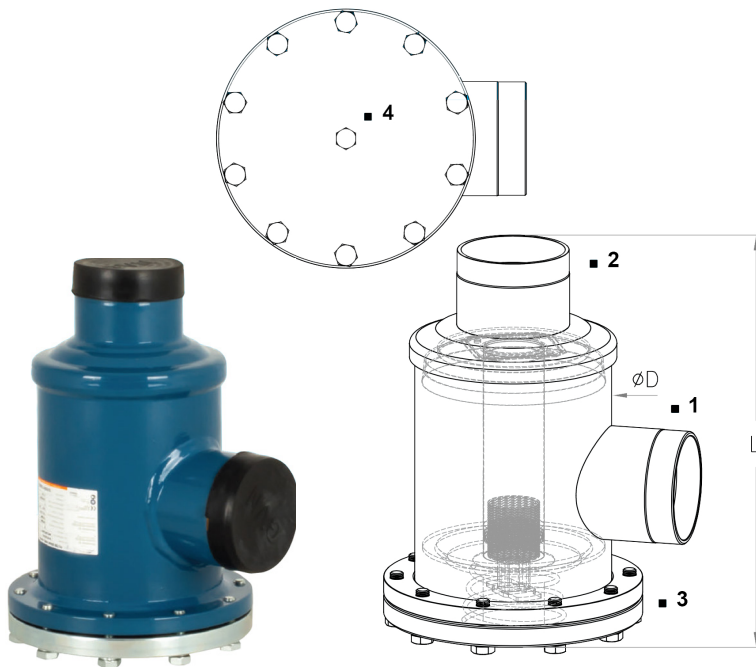
CODICE CODE	øD [ mm ]	L [ mm ]	Inlet [ mm ] [ 1 ]	Outlet [ Inch ] [ 2 ]	Flange [ 3 ]	Core	Core Data		Refrigerant Flow Capacity Pressure Drop - 0,07bar [kW]				
							Surface Area [ cm <sup>2</sup> ]	Volume [ cm <sup>3</sup> ]	R744	R22	R404 A R507	R407 C	R410 A
45000-130-M28-1	ø114	280	ODS 28	1 1/8"	FLC-178 -52-00	1	ND	ND	317	207	146	201	214
45000-130-M28-2	ø114	418	ODS 28	1 1/8"		2	ND	ND	315	206	146	200	213

- Condensing temperature 35°C (-5°C / Co2) • Evaporating temperature -15°C (-30°C / Co2)
- Temperatura di condensazione 35°C (-5°C / Co2) • temperatura di evaporazione -15°C (-30°C / Co2)

**SERIE 45001**



Filtri disidratatori - Filter drier shells



Working pressure	[PS] 33 Bar
Pressione di esercizio	
Min./max. allowable temperature	[TS] -10+100
max/min temperatura	
General tolerance	± 5
Tolleranza	
Available fluids	HCFC, HFC, R600A, R290, NH3
Fluidi compatibili	
Pressure equipment directive	2014/68/EU [PED]
Direttiva pressione impianto	

CODICE CODE	∅D [mm]	L [mm]	Inlet [mm] [1]	Outlet [Inch] [2]	Flange [3]	Service Conn. [Inch] [4]	Type	Core	Core Data		Refrigerant Flow Capacity Pressure Drop - 0,07bar [kW]			
									Surface Area [cm2]	Volume [cm3]	R134 A	R22	R404 A R507	R407 C
45001-033-M42-1	∅152	271,5	ODS 42	ODS 42	FLC-200-30-00	1/4" SAE	C	1	630	1600	351	400	244	369
45001-033-M54-1		271,5	ODS 54	2 1/8"							563	641	391	592
45001-033-M66-1		281,5	ODS 66	2 5/8"							801	912	557	843
45001-033-M76-1		291,5	ODS 76	3"							897	1022	624	944
45001-033-M80-1		291,5	ODS 80	3 1/8"							973	1108	677	1024
45001-033-M92-1		291,5	ODS 92	3 5/8"							1201	1367	835	1263


- Condensing temperature 35°C (-5°C / Co2) • Evaporating temperature -15°C (-30°C / Co2)
- Temperatura di condensazione 35°C (-5°C / Co2) • temperatura di evaporazione -15°C (-30°C / Co2)

## ACCESSORI PER FILTRI DISIDRATATORI

Accessories for Filter drier shells


### CARTUCCIA

Core

CODICE Code	Ø D [ mm ]	L [ mm ]	Inlet & Outlet [ mm ]	
45012-A	Ø50	125	3/8" ODS	
45012-B	Ø 50	120	3/8" SAE	

### FILTRO

Filter

CODICE Code	Ø D [ mm ]	L [ mm ]	Inlet & Outlet [ mm ]	
45013-A	Ø 50	125	3/8" ODS	
45013-B	Ø 50	120	3/8" SAE	