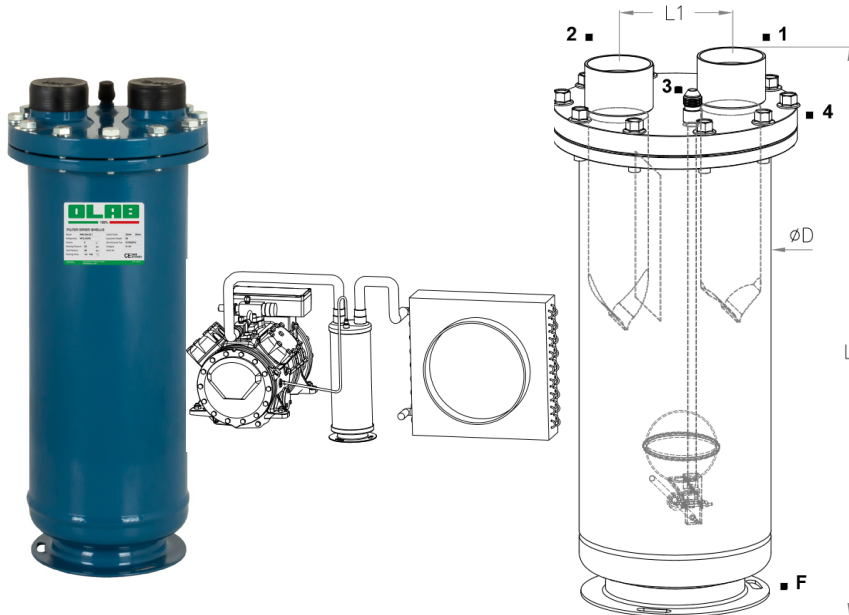


SERIE 45005 

Separatori d'olio convenzionali con flangia - Conventional oil separators & flange



Working pressure	[PS] 33 Bar
Pressione di esercizio	[PS] 33 Bar
Min./max. allowable temperature	[TS] -10+100
max/min temperatura	[TS] -10+100
General tolerance	± 5
Tolleranza	± 5
Available fluids	HCFC, HFC, R600A, R290, NH3
Fluidi compatibili	HCFC, HFC, R600A, R290, NH3
Pressure equipment directive	2014/68/EU [PED]
Direttiva pressione impianto	2014/68/EU [PED]

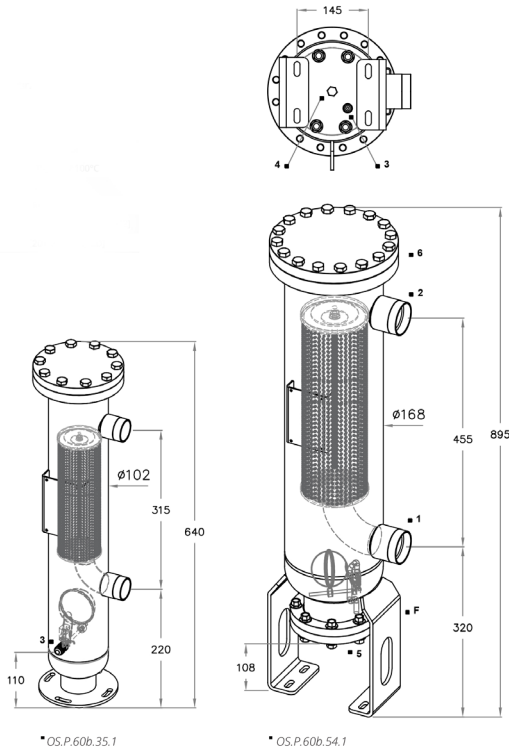
CODICE CODE	Ø D [mm]	L [mm]	L1 [mm]	Support [F]	In [mm] [1]	Out [mm] [2]	Oil return [3]	Flange [mm] [4]	Pre-charge qty (l)
45005-033-M12-1	Ø 114	318,5	60	V136-03	ODS 12	1/2"	3/8" SAE	FLC-149-24-02	0,5
45005-033-M16-1		321,5	60		ODS 16	5/8"			
45005-033-M19-1		390,5	60		ODS 19	3/4"			
45005-033-M22-1		383,5	60		ODS 22	7/8"			
45005-033-M28-1		383,5	60		ODS 28	1 1/8"			
45005-033-M35-1	Ø 140	472	80	V136-03	ODS 35	1 3/8"	3/8" SAE	FLC-179-27-00	0,7
45005-033-M42-1		472	80		ODS 42	ODS 42			
45005-033-M54-1	Ø 165	472	100	V162-03	ODS 54	2 1/8"	3/8" SAE	FLC-210-27-00	0,9

Capacity in kW of Refrigeration at Nominal Evaporator Temperature [°C]	R134a			R407F		Maximum Discharge Volume [m3/hr]	
	5°C	-40°C	5°C	-40°C	5°C		
R404A / 507							
-40°C	5,98	7,70	4,10	5,06	7,18	8,36	2,5
	15,29	19,70	10,49	12,93	18,37	21,38	6,4
	19,57	25,21	13,42	16,54	23,51	27,37	8,2
	23,30	30,03	15,99	19,70	28,00	32,60	9,8
	30,27	39,00	20,76	25,59	36,37	42,34	12,7
	41,92	54,03	28,76	35,45	50,38	58,65	17,6
	52,81	68,06	36,23	44,66	63,47	73,88	22,2
	86,39	111,33	59,26	73,05	103,81	120,85	36,2

SERIE 45015



Separatori d'olio ad alta prestazione - High Performance oil separators



Working pressure	[PS] 60 Bar
Pressione di esercizio	[PS] 60 Bar
Min./max. allowable temperature	[TS] -10+100
max/min temperatura	[TS] -10+100
General tolerance	± 5
Tolleranza	± 5
Available fluids	HCFC, HFC, R744 (CO2)
Fluidi compatibili	HCFC, HFC, R744 (CO2)
Pressure equipment directive	2014/68/EU [PED]
Direttiva pressione impianto	2014/68/EU [PED]

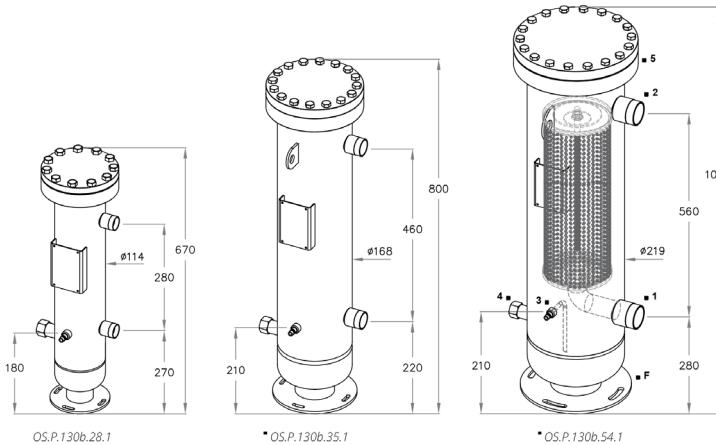
CODICE CODE	Volume [Lt]	In [mm] [1]	Out [mm] [2]	Oil return [3]	NPT [Inch] [4]	Bottom Flange [5]	Top Flange [6]	Support [F]	Filter [F]
45015-060-M35-1	4,1	35 ODS	35 ODS	3/8" SAE"	-	-	FLC-155-31-00	V135-05	FK.65.1
45015-060-M54-1	12,5	54 ODS	54 ODS		1/4" NPT	FLC-149-31-00	FLC-220-44-00	V248-100-06	FK.98.1

VH [m³/h] Theo., Max. Allow.. Compressor Displacement at -10°C Condensing Temperature, Evaporating Temperature [°C]			Weight [kg]	First Oil Charge [kg]
-30°C	-35°C	-40°C		
60	65	70	11,7	0,6
135	155	180	34,5	0,6

Progettato per alta pressione R410A e sistemi CO2
Designed for high pressure R410A and CO2 systems

SERIE 45015

Separatori d'olio ad alta prestazione - High Performance oil separators



Working pressure	[PS] 130 Bar
Pressione di esercizio	[PS] 130 Bar
Min./max. allowable temperature	[TS] -10+100
max/min temperatura	[TS] -10+100
General tolerance	± 5
Tolleranza	± 5
Available fluids	HCFC, HFC, R744 (CO2)
Fluidi compatibili	HCFC, HFC, R744 (CO2)
Pressure equipment directive	2014/68/EU [PED]
Direttiva pressione impianto	2014/68/EU [PED]

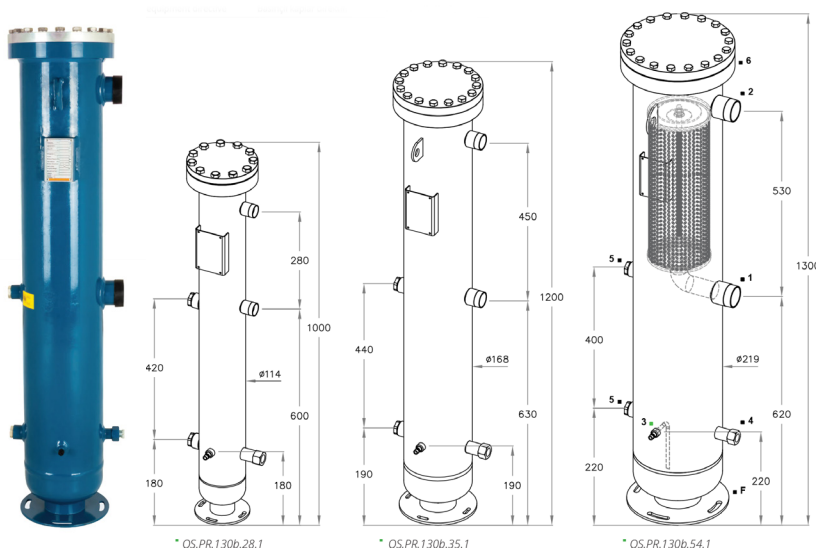
CODICE CODE	In [mm] [1]	Out [mm] [2]	Oil return [3]	NPT [Inch] [4]	Support [F]	Flange [6]	Filter
45015-130-M28-1	28 ODS	28 ODS	6 ODS	1/2" NPT	V170-05	FL-178-52-00	FK.65.1
45015-130-M35-1	35 ODS	35 ODS	6 ODS	1/2" NPT	V190-05	FL-220-58-00	FK.98.1
45015-130-M54-1	54 ODS	54 ODS	6 ODS	1/2" NPT	V250-06	FL-285-65-00	FK.145.1

Volume	High Pressure	Gas Cooler Outlet Temp.	First Oil Charge	Maximum Cooling Capacity Based on 10 K Superheat [kW] Evaporating Temperature [°C]							
	[bar]	[°C]	[kg]	15°C	10°C	5°C	0°C	-5°C	-10°C	-15°C	-20°C
4	120	50°C	0,9	190	175	148	133	119	105	91	78
10	120	50°C	1,7	505	459	395	350	306	289	255	215
26	120	50°C	4,1	936	827	719	631	562	529	463	385

Progettato per alta pressione R410A e sistemi CO2
Designed for high pressure R410A and CO2 systems

SERIE 45016

Separatori d'olio ad alta prestazione con serbatoio - High Performance oil separators & reservoir



Working pressure	[PS] 130 Bar
Pressione di esercizio	[PS] 130 Bar
Min./max. allowable temperature	[TS] -10+100
max/min temperatura	[TS] -10+100
General tolerance	± 5
Tolleranza	± 5
Available fluids	HCFC, HFC, z R744 (CO2)
Fluidi compatibili	HCFC, HFC, z R744 (CO2)
Pressure equipment directive	2014/68/EU [PED]
Direttiva pressione impianto	2014/68/EU [PED]

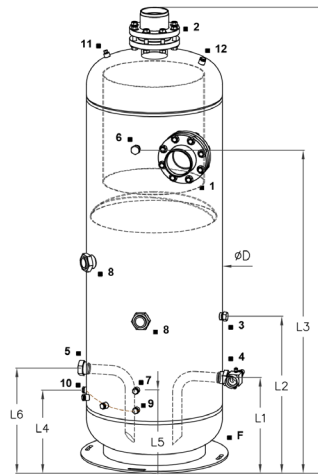
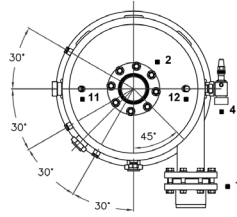
CODICE CODE	In [mm] [1]	Out [mm] [2]	Oil return [3]	NPT [Inch] [4]	Sight Glass [5]	Support [F]	Flange [6]	Filter
45016-130-M28-1	28 ODS	28 ODS	6 ODS	1/2" NPT	2x SW38	V170-05	FL-178-52-00	FK.65.1
45016-130-M35-1	35 ODS	35 ODS	6 ODS	1/2" NPT		V190-05	FL-220-58-00	FK.98.1
45016-130-M54-1	54 ODS	54 ODS	6 ODS	1/2" NPT		V250-06	FL-285-65-00	FK.145.1

Volume	Oil Volume	High Pressure	Gas Cooler Outlet Temp.	First Oil Charge	Maximum Cooling Capacity Based on 10 K Superheat [kW]							
					Evaporating Temperature [°C]							
Lt	Lt	[bar]	[°C]	[kg]	15°C	10°C	5°C	0°C	-5°C	-10°C	-15°C	-20°C
7	3	120	50°C	0,9	190	175	148	133	119	105	91	78
16	7	120	50°C	1,7	505	459	395	350	306	289	255	215
33	19	120	50°C	4,1	936	827	719	631	562	529	463	385

Progettato per alta pressione R410A e sistemi CO2
Designed for high pressure R410A and CO2 systems

SERIE 45009


Separatori d'olio per compressori a vite - Oil separators for screw compressors




Model/Modello		45009-033-0180	45009-033-0400	45009-033-0900	45009-033-1300
COMPRESSOR SUCTION VOLUME - LINEA DI ASPIRAZIONE COMPRESSORE					
Air Conditioning / Aria condizionata	m³/h	270	490	940	1320
Cooling and Low Temp. / Raffreddamento e bassa temperatura	m³/h	300	600	1320	1600
NOMINAL DATA - DATI NOMINALI					
Total Volume / Volume totale	dm³	40	120	220	330
Oil Volume / Volume olio	dm³	19	50	90	130
Max. Compressor / Max. Compressore	N.	2	3	6	6
DIMENSIONS - DIMENSIONI					
D	mm	Ø 324	Ø 406	Ø 508	Ø 600
L	mm	850	1260	1650	2020
L1	mm	240	250	350	370
L2	mm	390	500	620	650
L3	mm	550	810	1170	1470
L4	mm	170	200	250	280
L5	mm	230	300	350	370
L6	mm	240	250	350	370
F	mm	V320-04	V480-06	V550-08	V650-08
CONNECTIONS - ATTACCHI					

1	Refrigeration Inlet Conn. / Attacco inlet	FC-54	FC-80	FC-92	FC-102
2	Refrigeration Outlet Conn. / Attacco outlet	FC-54	FC-80	FC-92	FC-102
3	Oil Inlet Connection / attacco inlet lato olio	Rot. 1 1/4"	Rot. 1 1/4"	Rot. 1 1/4"	Rot. 1 1/4"
4	Oil Outlet Connection / attacco outlet lato olio	RV-7/8	RV-1 3/8	RV-1 5/8	RV-2 1/8
5	Parallel Comp. Oil Outlet Conn. / attacco inlet compressori in parallelo	Rot. 1 1/4"	Rot. 1 3/4"	Rot. 2 1/4"	Rot. 2 1/4"
6	Service Valve Connection / attacco valvola di servizio	Rot. 1 1/4"	Rot. 1 1/4"	Rot. 1 1/4"	Rot. 1 1/4"
7	Oil Level Sensor Conn. / attacco sensore di livello olio	NPT 1/2"	NPT 1/2"	NPT 1/2"	NPT 1/2"
8	Sight Glass / Indicatore	2xSGC134	2xSGC134	2xSGC134	2xSGC134
9	Thermostat / Termostato	NPT 1/2"	NPT 1/2"	NPT 1/2"	NPT 1/2"
10	Oil Heaters / riscaldatori olio	2x NPT 1/2"	2x NPT 1/2"	3x NPT 1/2"	4x NPT 1/2"
11	Service Valve Connection / attacco valvola di servizio	NPT 3/8"	NPT 3/8"	NPT 3/8"	NPT 3/8"
12	Safety Valve Connection / attacco valvola di sicurezza	NPT 1/2"	NPT 1/2"	NPT 1/2"	NPT 1/2"

RISCALDATORE D'OLIO
OIL HEATER

CODICE CODE	ps [bar]	Prezzo Price [€]			
45010	33 BAR	72,46 €	Lenght [mm]	150	
			Watt	150	
			Connection	1/2 NPT	

TERMOSTATO OLIO
OIL THERMOSTAT

CODICE CODE	ps [bar]	Prezzo Price [€]			
45011	33 BAR	69,02 €	Lenght [mm]	175	
			Connection	1/2 NPT	

KIT STANDARD FILTRI
STANDART FILTER KIT

CODICE CODE	Prezzo Price [€]	
45008-040-1	61,12 €	
45008-065-1	78,59 €	
45008-098-1	122,25 €	
45008-145-1	174,64 €	
45008-230-1	305,61 €	